

INSTALLATION INSTRUCTIONS AND PARTS LIST

MODEL 590205,590206,590207
RATCHETING STROBE LIGHT ACCESSORIES

PLEASE READ INSTRUCTIONS BEFORE INSTALLING

INSTALLATION OF THE RATCHETING CENTER BAR (590207)

1. PLACE (ITEM #3) AROUND TOP OF CAB GUARD (ITEM#1) UPRIGHTS SO THAT THE HOLES LINE UP, THEN TAKE CENTER BAR (ITEM #2) AND (2) SLIDE BRACKETS (ITEM #4) AND SLIDE BETWEEN UPRIGHTS SO THE COINED BRACKETS FIT INTO EACH OTHER. PLACE THE BOLT AND WASHER (ITEMS #5&6) THROUGH THE UPRIGHTS, BRACKETS AND CENTER BAR, (**DO THIS ON BOTH UPRIGHTS**). THEN PLACE RUBBER WASHER, WASHER CAP AND NUT (ITEMS #7, 8 &9) ON AND TIGHTEN SNUG. **SEE FIG 1.**
2. TIGHTEN FASTENERS UP UNTIL RATCHET SYSTEM IS SNUG BUT STILL ABLE TO ROTATE.

INSTALLATION OF THE SIDE MOUNTED STROBE LIGHTS (590205, 590206)

1. PLACE (ITEM #2) AROUND TOP OF CAB GUARD (ITEM #1) UPRIGHTS SO THAT THE HOLES LINE UP, THEN TAKE EITHER ROUND OR RECTANGULAR STROBE MOUNTS (ITEMS # 2) AND SLIDE BRACKET (ITEMS #4) AND HOLD THEM UP SO THAT THE COINED BRACKETS FIT INTO EACH OTHER. PLACE A BOLT AND WASHER (ITEMS #5&6) THROUGH THE UPRIGHTS AND BRACKETS FROM THE INSIDE OF UPRIGHTS, THEN PLACE RUBBER WASHER, WASHER CAP AND NUT (ITEMS #7, 8 &9) ON THE BOLT. **SEE FIG 2.**
2. TIGHTEN FASTENERS UP UNTIL RATCHET SYSTEM IS SNUG BUT STILL ABLE TO ROTATE.
3. (NOTE: WHEN USING CENTER BAR WITH ROUND OR RECTANGULAR STROBE LIGHT MOUNTS USE 5" BOLT ITEM #10). **SEE FIG 3.**



1200 E. Birch St.

Brandon, SD 57005

SERVICE PARTS LIST

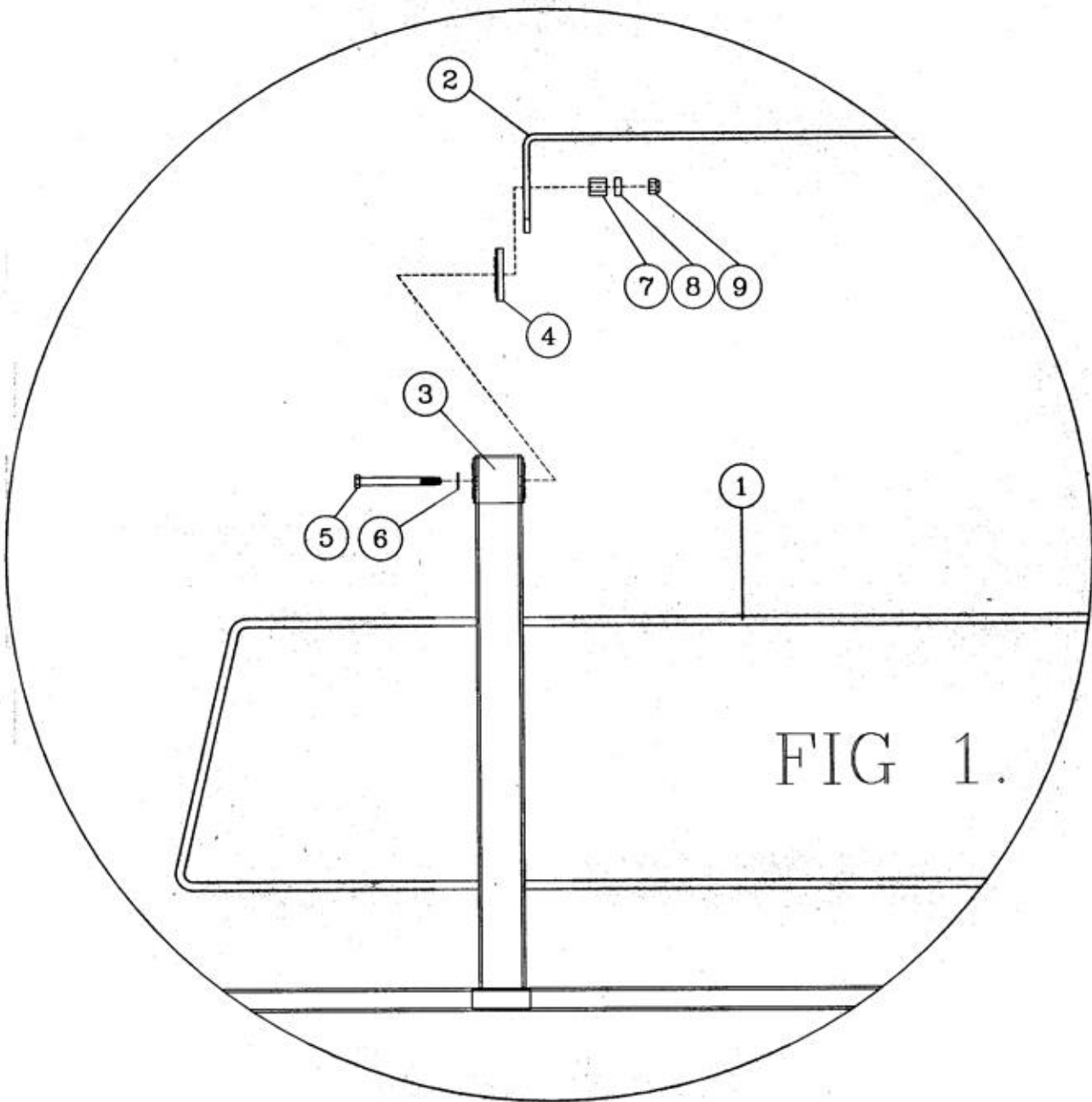
ITEM	PART #	QTY	DESCRIPTION
1	560554	1	RING WELDMENT
2	560542	1	CENTER LIGHT BAR BRACKET,BLACK
2	560540	1	ROUND STROBE LIGHT BRACKET,BLACK
2	560541	1	RECTANGULAR STROBE LIGHT BRACKET,BLACK
3	560543	2	RATCHETING BRACKET,MAIN
4	560544	2	RATCHETING BRACKET,SLIDE
5	103593	2	SRC-CAP,HEX HD,3/8-16 X 4.00",ZP
6	100062	2	WASHER-FL,3/8,ZP
7	102592	2	WASHER-RUBBER,.354 X 1.0 X .748
8	600023	2	WASHER CUP,SST,1.00ID X 0.232,DP
9	102381	2	NUT HEX,SLF LKG,3/8-16,ZP
10	100691	2	SRC-HEX HD,3/8-16 X 5.00",ZP



(A LIVERNE Company)

1200 E. Birch St.

Brandon, SD 57005

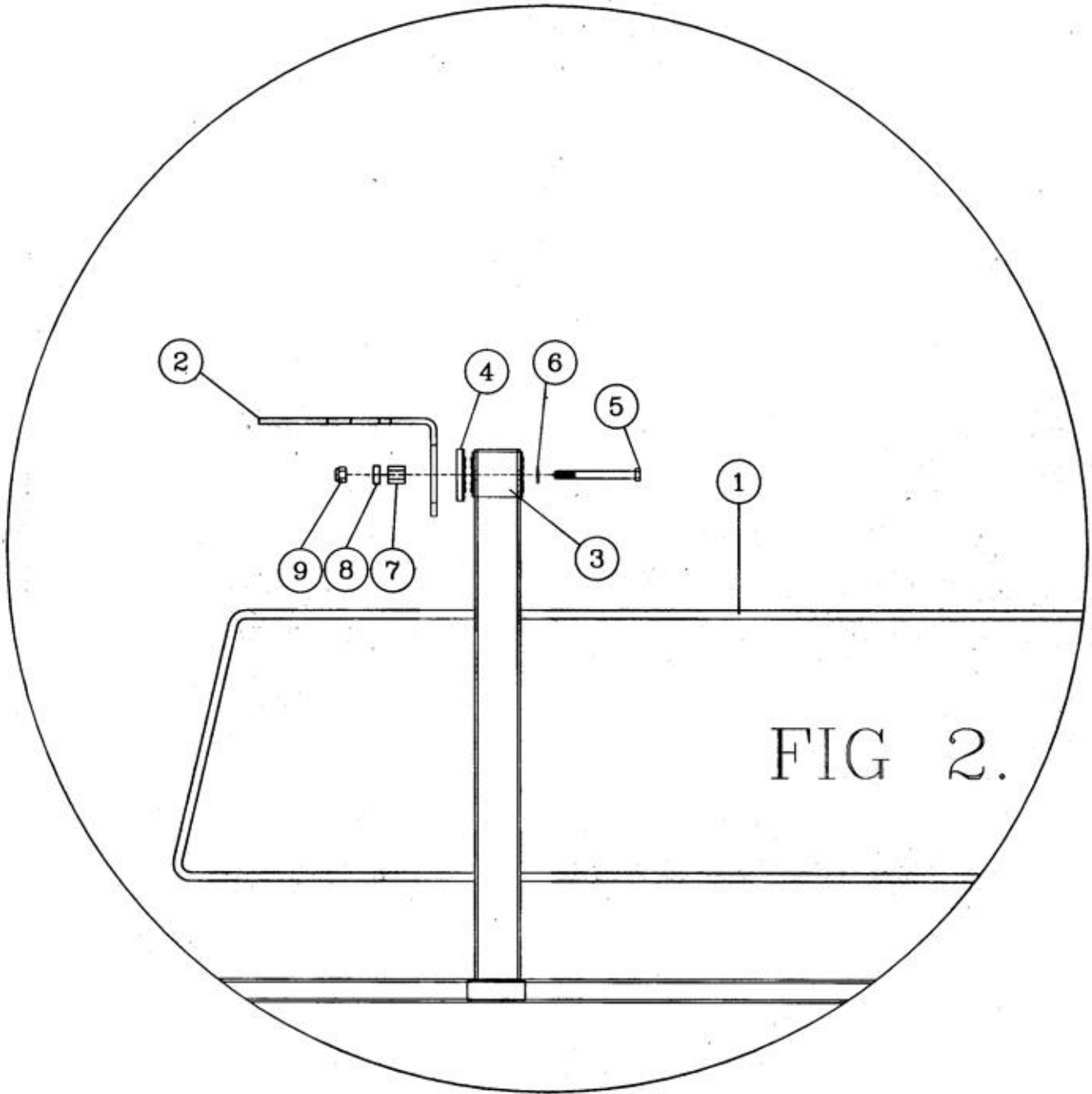


LIVERNE
TRUCK EQUIPMENT

(A LIVERNE Company)

1200 E. Birch St.

Brandon, SD 57005



LIVERNE
TRUCK EQUIPMENT

(A LIVERNE Company)

1200 E. Birch St.

Brandon, SD 57005

560560 SHEET 4 OF 5 08OCT10

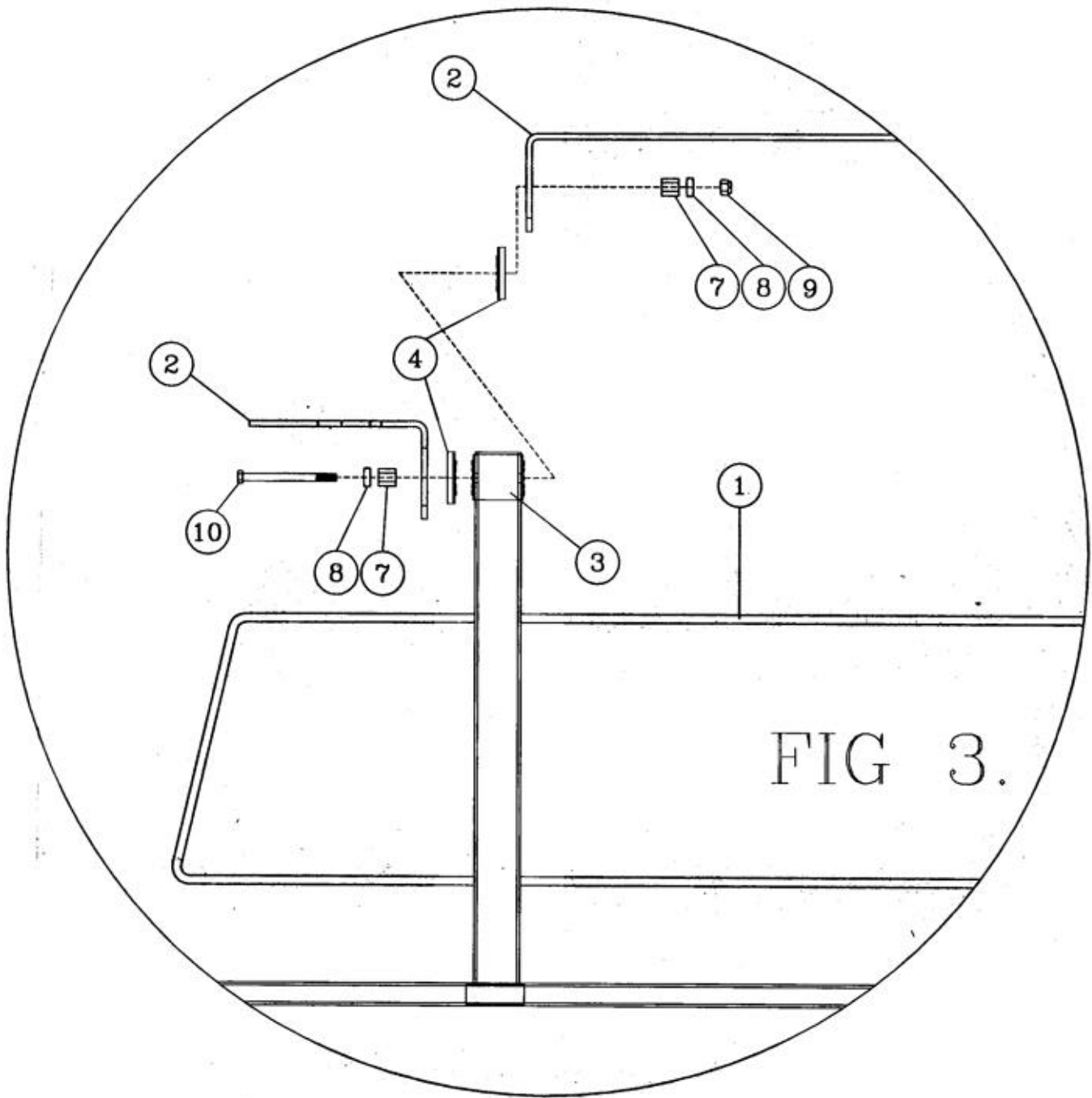


FIG 3.