

# INSTALLATION INSTRUCTIONS AND PARTS LIST

## MODEL 590220 CAB GUARD, BLACK

### UNIVERSAL FOR FULL SIZE PICKUP TRUCKS

2002+ DODGE RAM

1999+ GM TRUCKS

1999+ SUPER DUTY

2004+ F-150 ( WITH STAKE POCKETS)

2007+ TOYOTA TUNDRA

**PLEASE READ INSTRUCTIONS BEFORE INSTALLING**

**REQUIRES (2) PEOPLE FOR MOUNTING**

1. ASSEMBLE THE BRACKETS TO CAB GUARD RING, BY USING (4) 7/16 X 3" CARRIAGE BOLTS (ITEM #11) (4) WASHERS (ITEM #7) & (4) NUTS (ITEM #6). LEAVE LOOSE FOR ADJUSTMENT TO VEHICLE. BRACKETS DO FIT SNUG.
2. SLIDE THE U-NUT (ITEM #8) ON THE STAKE POCKET BRACKET (ITEM #9) PLACE HEX HEAD SCREW (ITEM#4) & LOCK WASHER, WASHER (ITEM#10&14) THROUGH THE MOUNTING BRACKETS OBOURND HOLE AND SCREW ON THE STAKE POCKET BRACKET AND U-NUT., LEAVE IT SO THAT THE BRACKET IS AT BOTTOM OF SCREW.
3. WITH A SECOND PERSON, LIFT THE ASSEMBLED CAB GUARD ONTO THE FRONT OF THE VEHICLES BOX, TIP FORWARD OR BACKWARD SO THAT THE STAKE POCKET MOUNT DROPS INTO THE STAKE POCKET HOLE .(*SOME ADJUSTING MAY NEED TO BE DONE TO MAKE BRACKET DROP IN CORRECTLY*).
4. ADJUST THE CAB GUARD FROM SIDE TO SIDE AND FROM FRONT TO BACK FOR PROPER PLACEMENT. TIGHTEN UP 7/16 X 3" BOLTS ONCE PLACEMENT HAS BEEN ESTABLISHED.
5. WITH THE GUARD CENTERED ON THE TRUCK, AND SITTING ON THE FRONT LIP OF THE BOX, MARK A LOCATION FOR THE SECOND FASTENER ON EACH SIDE AT THE OPPOSITE END OF THE MOUNTING SLOT. (ON SOME TRUCKS THIS LOCATION MAY BE BACK FROM THE STAKE POCKET MOUNT). REMOVE THE CAB GUARD AND DRILL (2) 1/2" HOLES A THESE LOCATIONS. THEN DROP A TURN-NUT (ITEM# 5) INTO EACH 1/2" HOLE.
6. REINSTALL THE CAB GUARD,TIGHTEN UP THE STAKE POCKET HEX HEAD SCREWS MAKING SURE THAT THE STAKE POCKET BRACKET CATCHES THE FRONT AND REAR LIPS OF HOLES. (SEE DIAGRAM).
7. WHEN BRACKETS ARE IN PROPER PLACEMENT AND TIGHTENED DOWN, PUT A M8 BOLT AND WASHER (ITEMS# 10,13&14) THROUGH BRACKET INTO TURN-NUT (ITEM#5).THEN TIGHTEN DOWN. (SEE DIAGRAM)



(A LIVERNE Company)

1200 E. Birch St.

Brandon, SD 57005

REV LEVEL A 04 OCT10  
560557 SHEET 1 OF 3 09SEP10

## SERVICE PARTS LIST

ITEM	PART #	QTY	DESCRIPTION
1	560554	1	RING WELDMENT
2	560486	1	RIGHT HAND BRACKET
3	560487	1	LEFT HAND BRACKET
4	108582	2	SCR-HEX HD,5/16" X 2 1/2",ZP
5	108581	2	TURN NUT,M8
6	103737	4	NUT-HEX FLG,7/16-14,ZP
7	100081	4	WASHER-FLT,7/16,ZP
8	105541	2	NUT-U,MUTI THD,LNG,5/16-18,BLK
9	560494	2	PLATE-NUT,GAL,590200
10	100034	4	WASHER-FL,5/16,ZP
11	104945	4	BLT-CAR,7/16-14 X 3",ZP
12	108578	2	PLASTIC PLUG, 2" X 2"
13	106719	2	SCR-HEX HD,M8 X 1.25 X 30MM ZP
14	100030	4	WASHER-LOCK,5/16",ZP
15	108926	4	HOLE-PLUG,PLS,3/8",BLK,2-385-180-P

**LIVERNE**  
TRUCK EQUIPMENT

(A LIVERNE Company)

1200 E. Birch St.

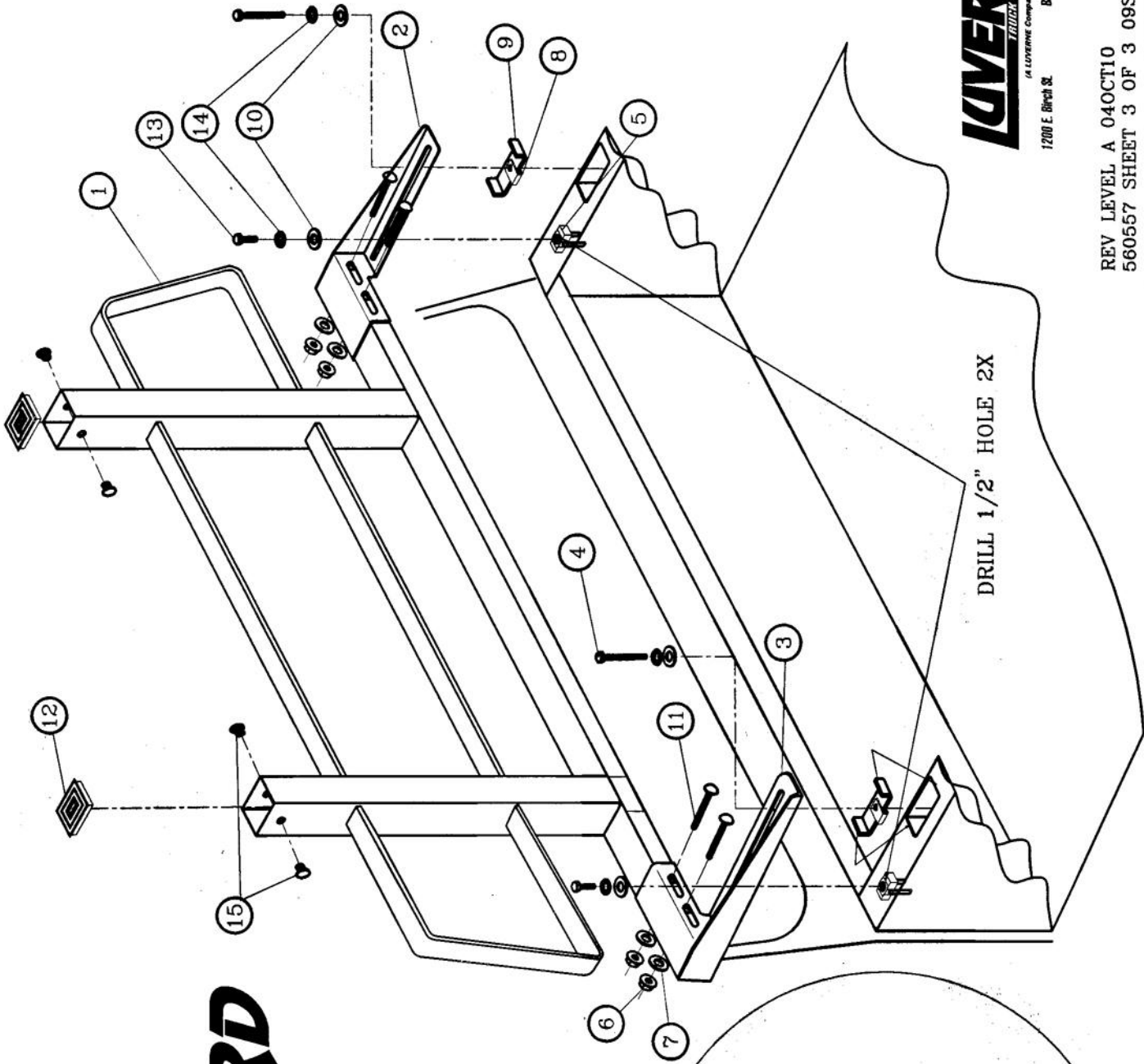
Brandon, SD 57005

REV LEVEL A 04OCT10  
570557 SHEET 2 OF 3 09SEP10

SERVICE PARTS LIST

MODEL NO. - 590220

# CAB GUARD



DRILL 1/2" HOLE 2X

**LIVERNE**  
TRUCK EQUIPMENT

A Liverne Company  
1200 E. Birch St.  
Brandon, SD 57005

REV LEVEL A 040CT10  
560557 SHEET 3 OF 3 09SEP10