



INSTALLATION INSTRUCTIONS FOR MOUNTING

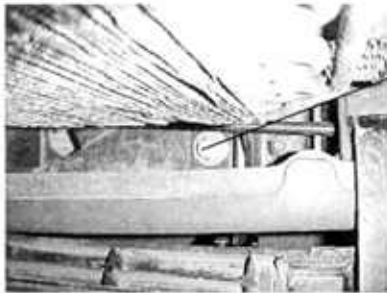
LUVERNE GRILLE GUARDS WITH THE FOLLOWING MODEL NO.:
205050 ON:

1997 TO 2004 AND NEWER FREIGHTLINER CENTURY TRACTORS

1. READ THE INSTRUCTIONS COMPLETELY AND CHECK TO MAKE SURE THAT ALL OF THE REQUIRED PARTS ARE ON HAND BEFORE STARTING THE INSTALLATION. THE INSTALLATION REQUIRES:

- (1) GRILLE GUARD PACKAGE:
 - (1) GRILLE GUARD, SST
 - (1) UPRIGHT ASSEMBLY, RH
 - (1) UPRIGHT ASSEMBLY, LH
 - (1) MOUNTING HARDWARE PACKAGE

REFER TO SERVICE PARTS LIST AND FIG. 1 FOR STEPS 1-11



2. OPEN THE HOOD AND REMOVE THE FOUR- (4) 5/8" MOST INSIDE BOLTS AND WASHERS FROM THE FRAME.



3. INSERT FROM ABOVE, FOUR (4) 5/8-11 X 2 HEX BOLTS, (ITEM #11) WITH 5/8" FLAT WASHERS (ITEM #20) INTO THE VACANT HOLES.



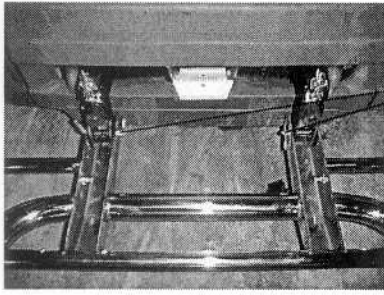
4. INSTALL THE RIGHT HAND AND LEFT HAND MOUNTING BRACKETS (ITEM #2 & #3) TO THE 5/8" BOLTS, USING 5/8" FLAT WAHSERS (ITEM #20), 5/8" LOCK WASHERS (ITEM #19) AND 5/8" NUTS (ITEM #15). THE FLANGES OF THE MOUNTING BRACKETS SHOULD FACE TO THE INSIDE. LEAVE THE FASTENERS LOOSE ENOUGH SO THAT THE BRACKET CAN BE MOVED.

LUVERNE
TRUCK EQUIPMENT
(A LUVERNE Company)

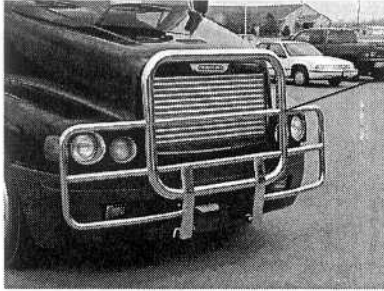
1200 E. Birch St.

Brandon, SD 57005

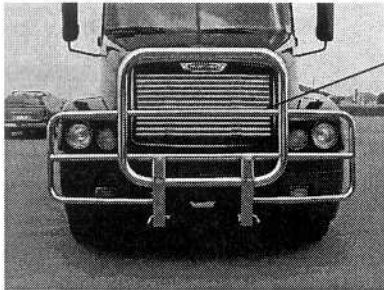
REVISED 03JAN08 LVL C
REVISED 08MAY03 LVL B
REVISED 17JAN03 LVL A
205075 SHEET 1 OF 6 21MAY02



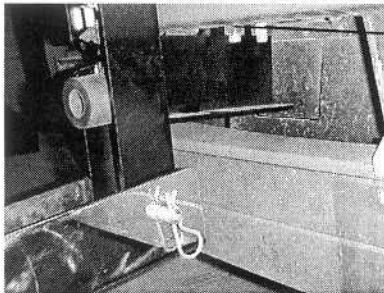
5. INSTALL THE GRILLE GUARD ONTO THE MOUNTING BRACKETS USING THE TWO MACHINE PINS (ITEM #7) AND THE HAIR PINS (ITEM #8)



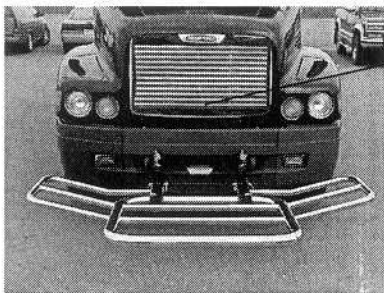
6. CLOSE THE GRILLE GUARD ON THE MOUNTING BRACKETS, JUST TO THE FIRST CATCH, SO THAT THE MOUNTING BRACKETS CAN BE ADJUSTED.



7. WITH THE GRILLE GUARD IN THE CLOSED POSITION, ALIGN THE MOUNTING BRACKETS SO THAT THEY CENTER THE GRILLE GUARD ON THE VEHICLE. POSITION THE BRACKETS SO THAT THE END OF THE HINGE TUBE ON THE INSIDE OF THE BRACKET IS AGAINST THE INSIDE OF THE UPRIGHT. TIGHTEN THE MOUNTING BRACKET BOLTS.



8. PULL THE CATCH RELEASE LEVERS AND CAREFULLY LOWER THE GRILLE GUARD. OPEN THE HOOD. TIGHTEN THE FOUR (4) MOUNTING BRACKET BOLTS.



9. CLOSE THE HOOD AND CAREFULLY RAISE THE GRILLE GUARD. CHECK THAT THE UPRIGHT CHANNEL OF THE MOUNTING BRACKET DOES NOT INTERFERE WITH THE WASHER ON THE STRIKER PIN (Item #6).



10. TO CLOSE THE GRILLE GUARD, APPLY PRESSURE TO THE TOP CENTER OF THE GRILLE GUARD UNTIL THE RUBBER BUMPERS IN THE MOUNTING BRACKETS COMPRESS, AND THE LATCH CLICKS TO THE SECOND SETTING.



11. TO LOWER THE GRILLE GUARD, APPLY PRESSURE TO THE TOP CENTER OF THE GRILL GUARD AND RELEASE THE RIGHT SIDE AND LEFT SIDE LATCH LEVERS TO THE FIRST CATCH. THIS WILL TAKE THE PRESSURE OFF OF THE RUBBER BUMPERS. NOW RELEASE BOTH LEVERS AND LOWER THE GUARD TO THE BOTTOM.

LATCH LEVERS



COMPLETED GRILL GUARD



DAMPENER ADJUSTMENT

THE DAMPENER IS SET AT THE FACTORY, TO APPROXIMATELY 3-9/16" FROM THE INSIDE SURFACE OF THE CHANNEL TO THE FACE OF THE DAMPENER, BUT SHOULD IT EVER NEED TO BE ADJUSTED, FOLLOW THESE STEPS:

1. REMOVE THE DAMPENER (ITEM #23) AND THE WASHER (ITEM #21) SEE SHEET #5 & #6 FIG.1 & FIG.2
2. ADJUST THE NYLOCK NUT (ITEM #17), BEHIND THE DAMPENER, IN OR OUT AS REQUIRED.
3. REINSTALL THE DAMPENER AND WASHER

IF THE DAMPENER IS TOO LOOSE, THERE WILL BE EXCESSIVE PLAY IN THE GUARD. IF THE DAMPENER IS TOO TIGHT THERE WILL BE EXCESSIVE PRESSURE ON THE LATCH.

LIVERNE
TRUCK EQUIPMENT
(A LIVERNE Company)

1200 E. Birch St.

Brandon, SD 57005

REVISED 03JAN08 LVL C
REVISED 08MAY03 LVL B
REVISED 17JAN03 LVL A
205075 SHEET 3 OF 6 21MAY02

SERVICE PARTS LIST

ITEM	PART NO.	QTY	DESCRIPTION
1	205052	1	RING WELDMENT - SST
2	205064	1	MOUNTING BRACKET WELDMENT - RH
3	205065	1	MOUNTING BRACKET WELDMENT - LH
4	105222	1	ROTARY LATCH - RH
5	105223	1	ROTARY LATCH - LH
6	105224	2	STRIKER PIN
7	105263	2	MACHINE PIN - Ø5/8 X 3-5/8, ZP
8	100159	2	HAIR PIN - 9GA, ZP
9	105261	1	STEP PAD - 31"
10	105260	1	STEP PAD - 19"
11	100144	4	SCREW - HHC, 5/8-11 X 2, ZP
12	100104	2	BOLT - CARRIAGE, ½-13 X 3-1/2, FT, ZP
13			
14	100647	6	SCREW - HHC, 5/16-18 X 1, ZP
15	100149	4	NUT - HEX, 5/8-11, ZP
16	100123	2	NUT - SERRATED FLANGE, ½-13, ZP
17	105654	2	NUT - NYLOCK, ½-13, ZP
18	105254	2	NUT - CAP (ACORN), 7/16-14, SST
19	100148	4	WASHER - LOCK, 5/8, ZP
20	100147	8	WASHER - FLAT, 5/8, ZP
21	105257	2	WASHER - Ø2.000X Ø0.516 X .104, STEEL, ZP
22	100118	2	WASHER - FLAT, 1/2, ZP
23	105256	2	BUMPER - ELASTOMER, Ø2"



(A LIVERNE Company)

1200 E. Birch St.

Brandon, SD 57005

REVISED 03JAN08 LVL C
REVISED 08MAY03 LVL B
REVISED 17JAN03 LVL A
205075 SHEET 4 OF 6 21MAY02

SERVICE PARTS DRAWING

MODEL NO. - 205050

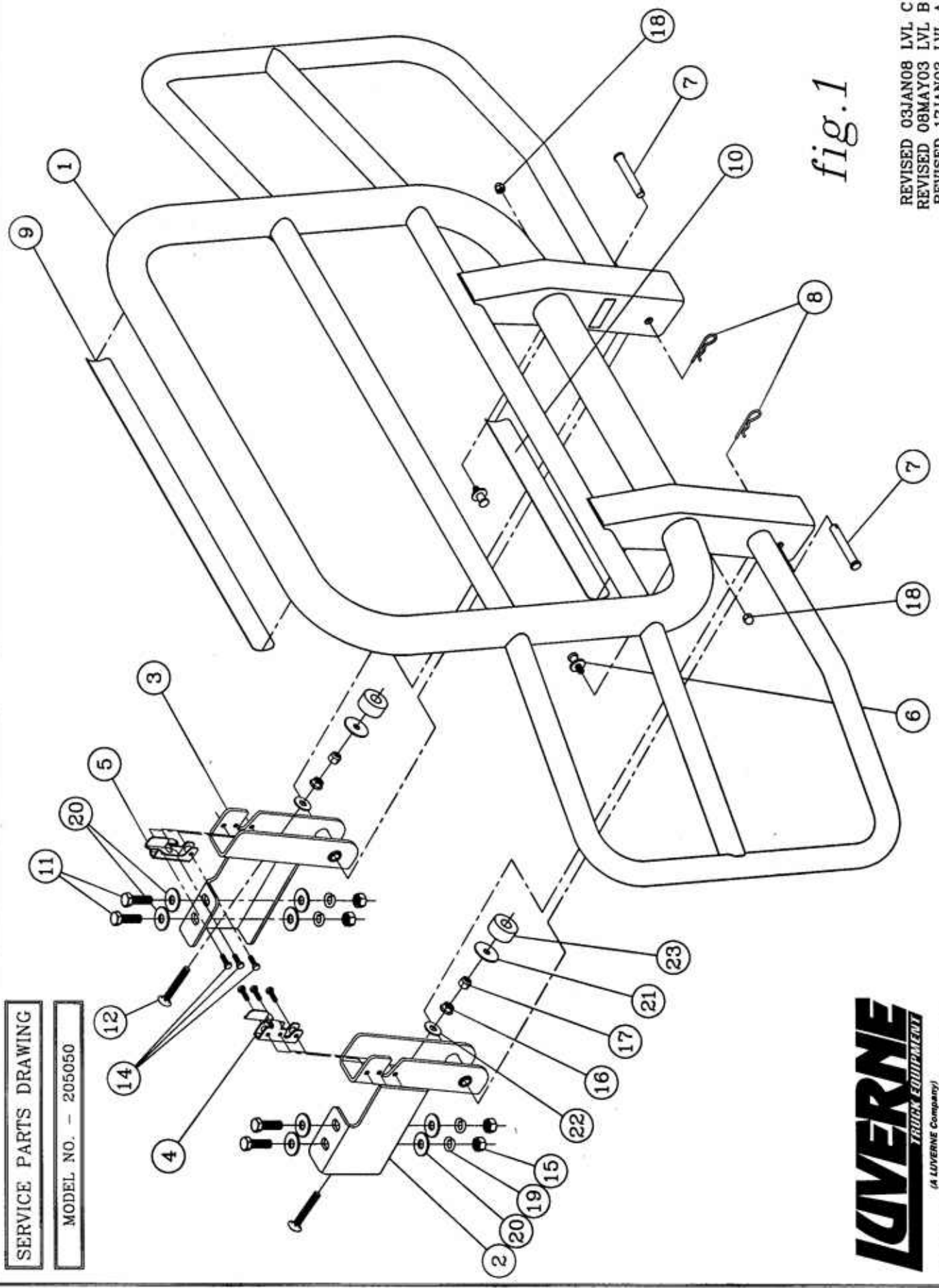
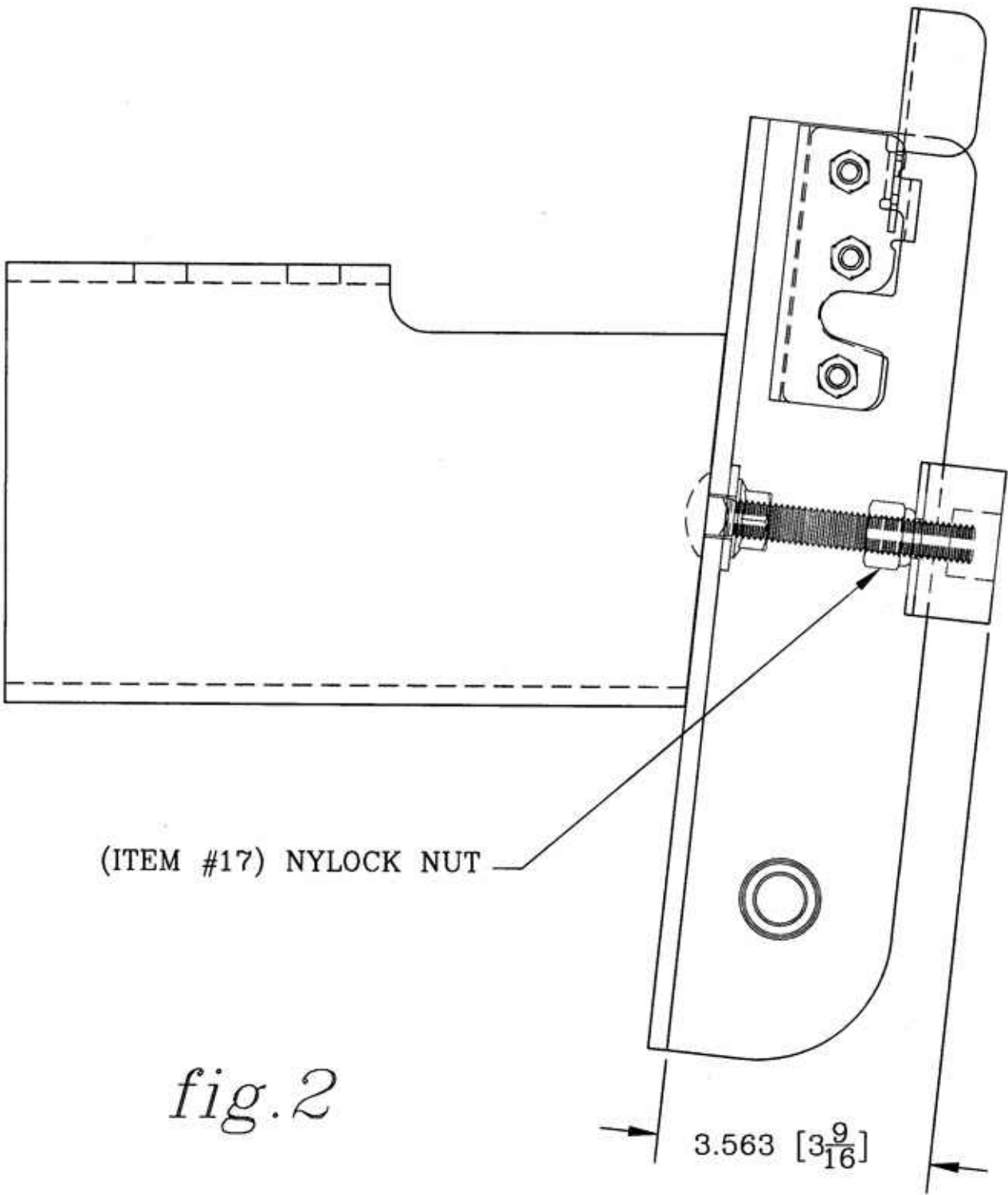


fig. 1

REVISED 03JAN08 LVL C
REVISED 08MAY03 LVL B
REVISED 17JAN03 LVL A
205075 SHEET 5 OF 6 21MAY02

LOVERNE
TRUCK EQUIPMENT
(A LOVERNE Company)
1200 E. Birch St.
Brandon, SD 57005

DAMPENER ADJUSTMENT



(ITEM #17) NYLOCK NUT

fig.2

3.563 [3 ⁹/₁₆]



(A LIVERNE Company)

1200 E. Birch St.

Brandon, SD 57005

REVISED 01JAN08 LVL C
REVISED 08MAY03 LVL B
REVISED 17JAN03 LVL A
205075 SHEET 6 OF 6 21MAY02